

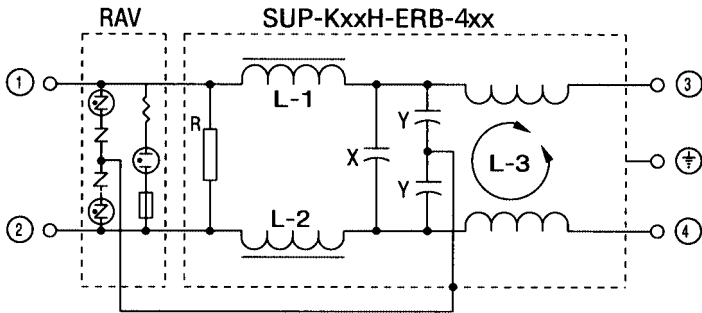
SUP-K□H-ERB-4

Safety Approvals	File No .
UL : UL-1283 (250VAC)	E78644


- EMI/RFI Filter with Transient Voltage Protection
- Common and Normal Mode Attenuation to 30 MHz
- 125VAC and 250VAC Models
- TVS Protection Monitoring Indicator
- TVS Protector is replaceable



SUP-K□H-ERB-4P

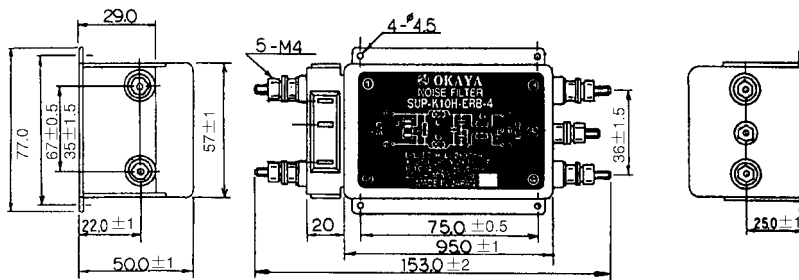


R = 1MEG (10 A,15 A)  
R = 470K (20 A,30 A)

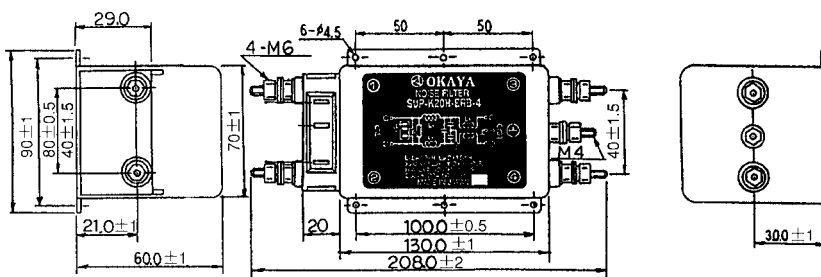
Safety Standard	Model number	Rated voltage (VAC)	Rated current (A)	Maximum discharge voltage	Insulation resistance	Leakage current (max.)	Voltage drop (max.)	Temperature rise (max.)	Operating temp range(°C)
	SUP-K10H-ERB-4P1	125	10	Line to Ground 1.2/50 μS 12KV	Line to Ground 100MΩ min (at 100VDC)	0.5mA (at 125Vrms 60Hz)	1.5Vrms	30°C	-25 to +55
	SUP-K15H-ERB-4P1		15						
	SUP-K20H-ERB-4P1		20						
	SUP-K30H-ERB-4P1		30						
	SUP-K10H-ERB-4P2	250	10			1.0mA (at 250Vrms 60Hz)			
	SUP-K15H-ERB-4P2		15						
	SUP-K20H-ERB-4P2		20						
	SUP-K30H-ERB-4P2		30						

MECHANICAL DIMENSIONS

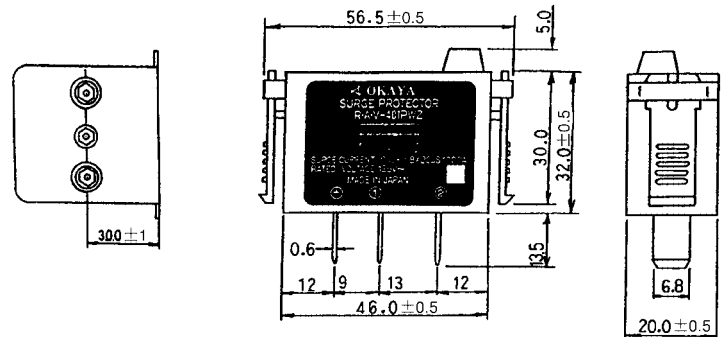
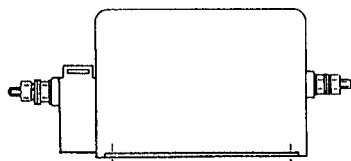
All Dimensions in mm



SUP-K10/15H



SUP-K20/30H



RAV-401/781 PWZ

