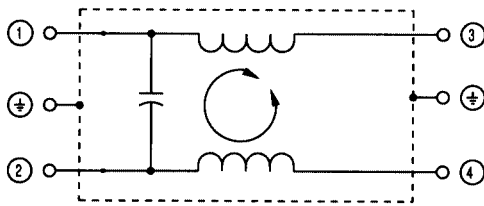


SUP-J□G
 SUP-J□G-E
 SUP-J□G-E1

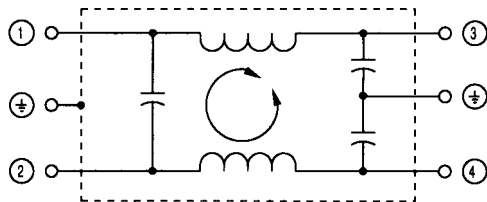
- Compact size
- IEC input connector
- UL544, Medical and Dental Equipment, rating
- Faston and Solder output terminals

Safety Approvals		File No .
UL	: UL-1283	E78644
UL	: UL-544 *	E78644
CSA	: C22.2, No.8-M1986	LR60681/LR102240
VDE	: VDE0565-3	10529-4730-1002
SEMKO	: IEC939 1988	9508094, 9116194
NEMKO	: NEK-NE60320-1, IEC9301	P95101263
DEMKO	: IEC939 1988	302917
FIMKO	: IEC939 1988	181256-01
SEV	: IEC939 1988	Nr. 95.5 51431

SUP-J□G



SUP-J□G-E, SUP-J□G-E1



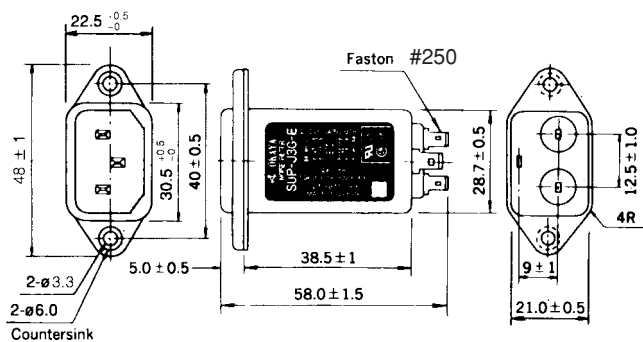
Rated voltage **250VAC**

Safety Standard	Model number	Rated current (A)	Test voltage	Insulation resistance	Leakage current (max.)	Voltage drop (max.)	Temperature rise (max.)	Operating temp range(°C)
	SUP-J3G-0*1 SUP-J3G-2*1	3	Line to Line 1000 Vrms 50/60Hz 60sec Line to Ground 2000 Vrms 50/60Hz 60sec	Line to Line 3000 MΩ min Line to Ground 6000 MΩ min (at 500VDC)	10 μA	0.6Vrms	20°C	-25 to +55
	SUP-J3G-E SUP-J3G-E-2				0.5mA			
	SUP-J3G-E1-0*1 SUP-J3G-E1-2*1	70 μA						
	SUP-J6G-0*1 SUP-J6G-2*1	10 μA						
	SUP-J6G-E SUP-J6G-E-2	0.5mA						
	SUP-J6G-E1-0*1 SUP-J6G-E1-2*1	70 μA						
	SUP-J10G-0*1 SUP-J10G-2*1	10			10 μA			
	SUP-J10G-E*3 SUP-J10G-E-2*3				0.5mA			
	SUP-J10G-E1-0*1 SUP-J10G-E1-2*1				70 μA			
		SUP-J15G-0*2 SUP-J15G-2*2			15			
SUP-J15G-E SUP-J15G-E-2		0.5mA						
SUP-J15G-E1-0*2 SUP-J15G-E1-2*2		70 μA						

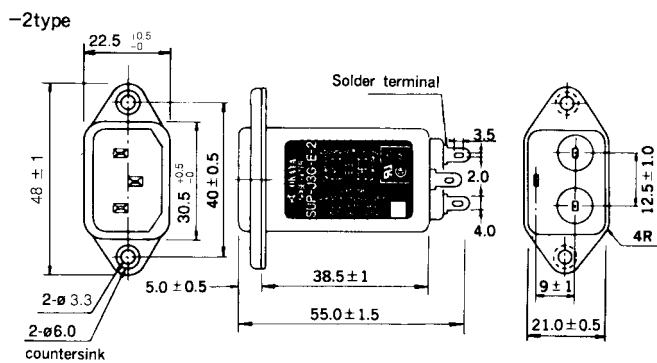
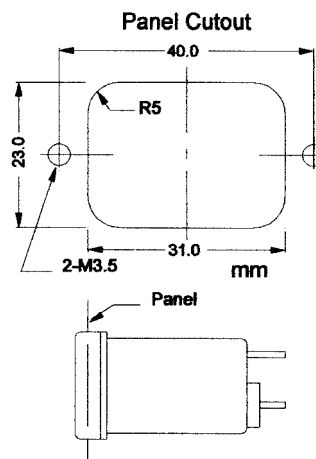
*1 *2 *3

MECHANICAL DIMENSIONS

All Dimensions in mm



SUP-J□G-0
 SUP-J□G-E
 SUP-J□G-E1-0



SUP-J□G-2
 SUP-J□G-E-2
 SUP-J□G-E1-2

