

SUP-EP

Features

- Uses wiring-easy terminal block
- General purpose model made with ferrite core
- High safety available with bleeder resistor-contained design for protecting against electric shock and offers

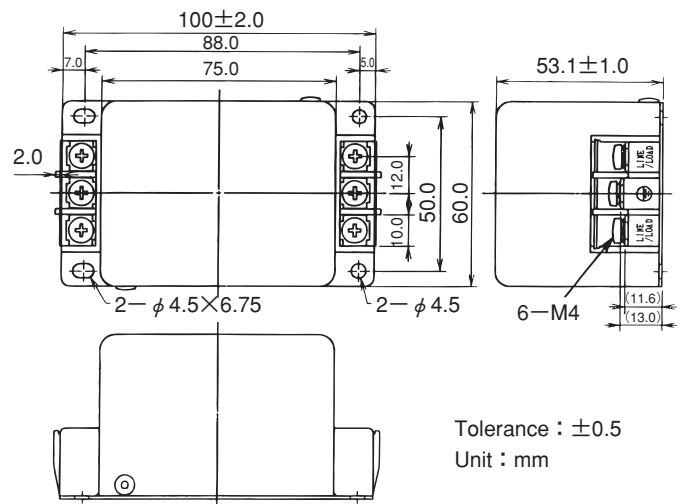
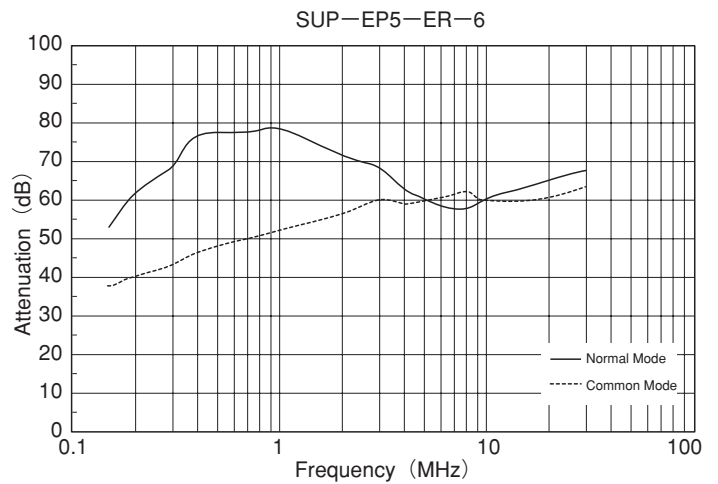
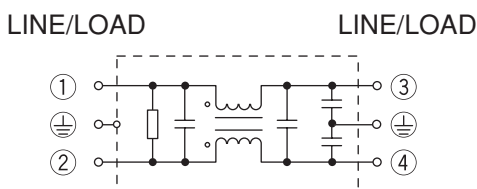
Application

- Thyristor-applied systems, fax machines, game machines, variety of control systems and etc.



Safety Approvals		File No .
UL	: UL-1283	E78644
C-UL	: C22.2, No.8-M1986	E78644
TÜV	: EN133200	R2-50006831

Circuit diagram



Rated voltage **250VAC**

Safety approvals	Model	Rated current (A)	Test voltage	Insulation resistance	Leakage current (max)	Voltage drop (max)	Temperature rise (max)	Operating temperature (°C)	Attenuation characteristics	
									Normal mode (MHz)	Common mode (MHz)
 	SUP-EP5-ER-6	5	Between terminal and case 2500Vrms 50/60Hz 60sec	Between terminal and case 100MΩ min (at 500VDC)	1mA (at 250Vrms 60Hz)	1.0Vrms	45°C	-25~+55	0.15~30	0.3~20
	SUP-EP10-ER-6	10							0.15~30	0.4~20
	SUP-EP15-ER-6	15							0.2~30	0.7~20
	SUP-EP20-ER-6	20							0.3~30	2.0~30
	SUP-EP30-ER-6	30							0.4~30	6.0~30

Guaranteed attenuation is more than 35dB in normal mode and more than 30dB in common mode.