



Piezoelectric Sounders

Applicable for beep of keyboard, remote control and telephone ringer.

■ Features

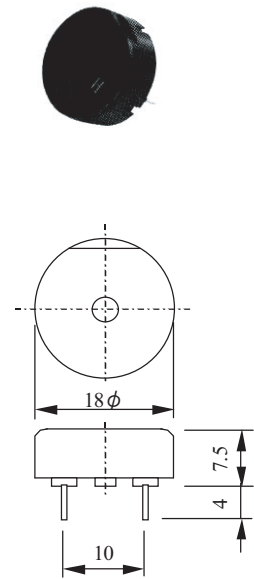
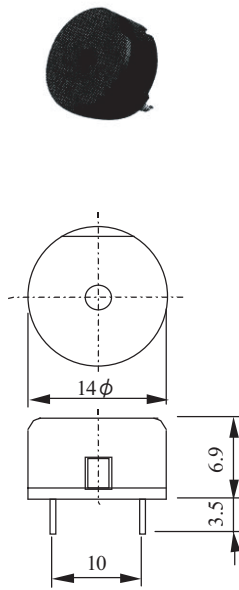
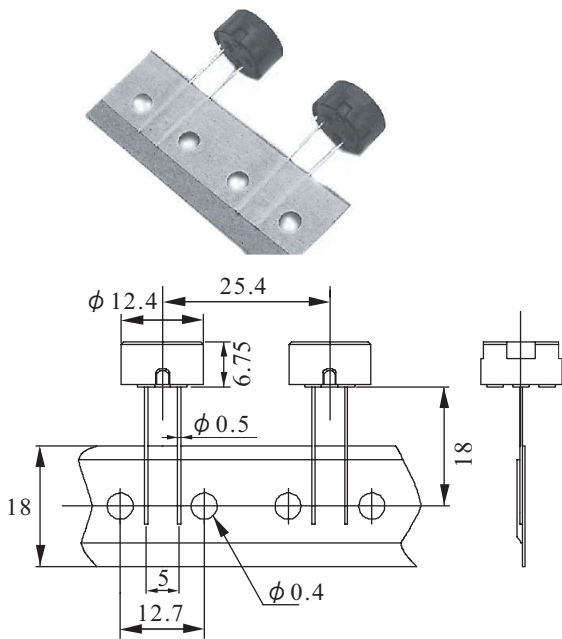
- Small and light weight, low power consumption
- Reliable, perpetual life

■ Dimensions

Model No. HAS-RP2-12-40-T1

Model No. HAS-RP2-14-41-11

Model No. HAS-RP2-18-35-11



■ Specifications

Item	HAS-RP2-12-40-T1	HAS-RP2-14-41-11	HAS-RP2-18-35-11	Unit
Output sound pressure level (10 cm)	70 Min. (3Vp-p,4.0kHzsq.)	72 Min. (3Vp-p,4.096kHzsq.)	72 Min. (3Vp-p,3.5kHzsq.)	dB
Static capacitance (± 30%,120kHz)	8.0	7.4	19.0	nF
Max. input voltage	25	30	15	Vp-p
Weight	0.8	0.9	1.2	g

■ Model Designation

H A S - Construction - Diameter - Frequency - Design No.

