



## ■ Features

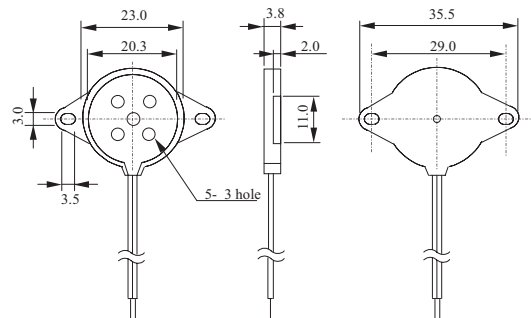
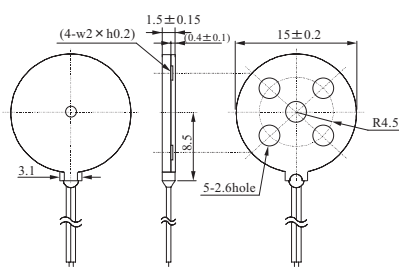
- Small and light weight
- High sound pressure level
- Low power consumption

## ■ Construction

Model No. HAT-XW-15C-01



Model No. HAT-PW-15\*-\*



## ■ Specifications

Item	HAT-XW-15C-01	HAT-PW-23A-01	HAT-PW-23B-01	HAT-PW-23C-01	Unit
Output Sound Pressure Level (1Vrms, 1kHz)	108±3	110±3	109±3	106±3	dB
Static Capacitance (±30%, 120Hz)	70	100	100	100	nF
Max. Input Voltage	5	5	5	5	Vrms
Weight	0.26	1.5	1.5	1.5	g
Note	Bass stressing type	Flatness stressing type	Bass stressing type	Bass stressing type	

## ■ Model Designation

