



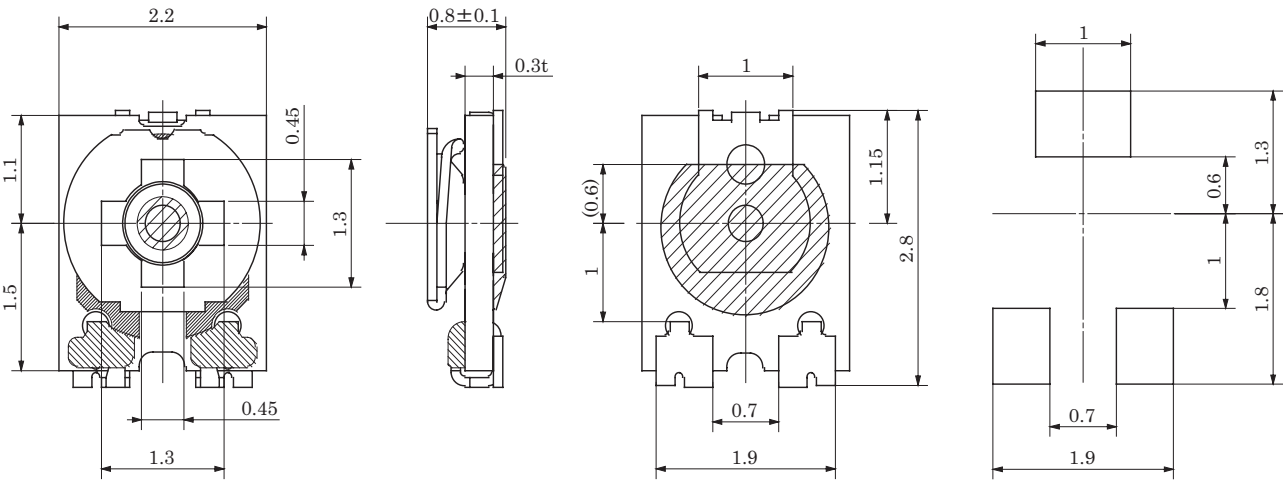
Chip Type Cermet Trimmer Potentiometer

New

■ Features

- Low profile type (0.8mm in height)
- Excellent weatherability by adopting metal glaze for resistive film
- Sn material is adopted for terminal plating, to take environment into consideration. (Lead-free)

■ Dimensions Unit (mm)

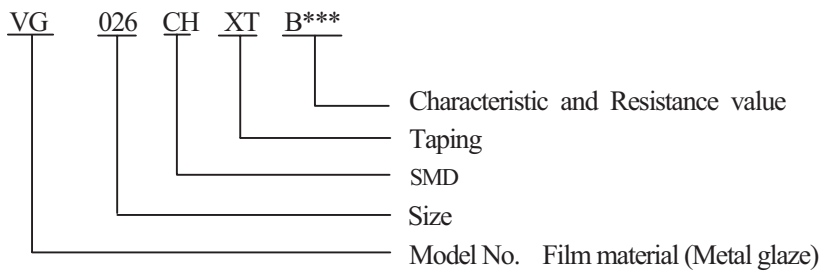


Recommended Footprint

■ Specification

Item	Specification	Unit	Note
Power Rating	0.1	W	
Max. Working Voltage	50	V	
Resistance Range	100 ~ 1 M	Ω	
Resistance Tolerance	± 25	%	
T.C.R.	± 250	ppm/°C	
Operating Temperature Range	-40 ~ 100	°C	
Rotation Angle	240 ± 20	°	
Operation Torque	0.49 ~ 7.84	mN·m	

■ Model Designation





Chip Type Cermet Trimmer Potentiometer

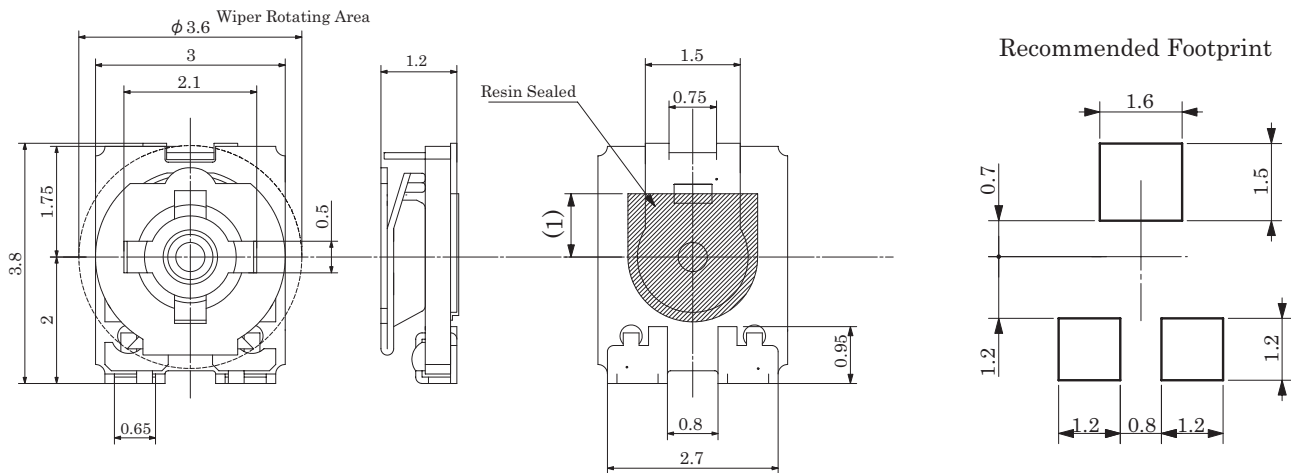
New

■ Features

- Low profile type (1.2mm in height)
- 8mm width × 4mm pitch emboss taping for auto insertion
- Reflow solderable
- RoHS Directives - compliant product
- With rotational stopper



■ Dimensions (Unit: mm)



■ Specification

Item	Specification	Unit	Note
Resistance Range	100 ~ 1 M (1,2,3,5 Series)	Ω	
Resistance Tolerance	± 25	%	
Operating Torque	0.98 ~ 11.76	mN•m	
Rotation Angle	270 \pm 20	$^{\circ}$	With rotation stopper
Power Rating	0.15 (at 70 $^{\circ}\text{C}$), 0 (at 100 $^{\circ}\text{C}$)	W	
Max. Working Voltage	50V or $V = \sqrt{PR}$ whichever is smaller	V	
Temp. Coefficient	± 250	ppm/ $^{\circ}\text{C}$	
Temp. Range	-40 ~ +100	$^{\circ}\text{C}$	

■ Model Designation

