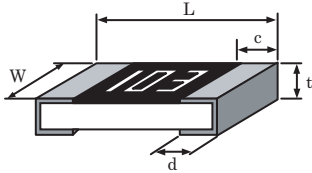


## Dimension

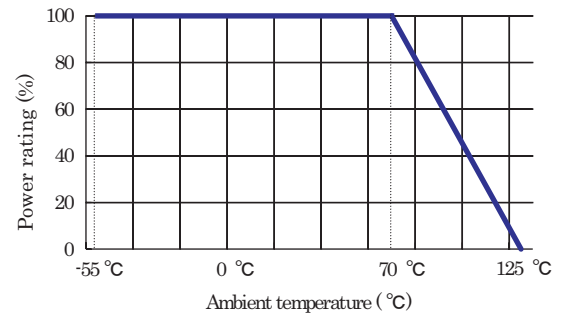


Model No. *1	L	W	c	d	t
CR04 (CR1/32)	0.40 ± 0.02	0.20 ± 0.02	0.10 ± 0.03	0.10 ± 0.03	0.12 ± 0.02
CR06 (CR1/20)	0.60 ± 0.03	0.30 ± 0.03	0.12 ± 0.05	0.15 ± 0.05	0.23 ± 0.03
CR10 (CR1/16S), LCR10 (LCR1/16S) CRS10, LCRS10	1.00 ± 0.05	0.50 ± 0.05	0.20 ± 0.10	0.25 ± 0.10	0.35 ± 0.05
CR16 (CR1/16), LCR16 (LCR1/16) FCR16 (FCR1/16), CRS16, LCRS16	1.60 ± 0.15	0.80 <sup>+0.20</sup> -0.10	0.25 ± 0.20	0.25 ± 0.20	0.50 <sup>+0.15</sup> -0.05
CR20 (CR1/10), LCR20 (LCR1/10) UCR20 (UCR1/10), FCR20 (FCR1/10) CRS20, LCRS20	2.00 <sup>+0.20</sup> -0.10	1.25 <sup>+0.20</sup> -0.10	0.40 ± 0.20	0.40 ± 0.20	0.50 <sup>+0.15</sup> -0.05
CR32 (CR1/8), LCR32 (LCR1/8) ECR32, FCR32 (FCR1/8) CRS32, LCRS32	3.20 <sup>+0.10</sup> -0.15	1.60 <sup>+0.10</sup> -0.15	0.50 ± 0.20	0.50 ± 0.20	0.55 <sup>+0.15</sup> -0.05
CR35 (CR1/4), LCR35 (LCR1/4) FCR35 (FCR1/4), CRS35, LCRS35	3.20 <sup>+0.10</sup> -0.15	2.60 <sup>+0.10</sup> -0.15	0.50 ± 0.20	0.50 ± 0.20	0.55 <sup>+0.15</sup> -0.05
CR50 (CR1/2), LCR50 (LCR1/2) ECR50, FCR50 (FCR1/2) CRS50, LCRS50	5.00 ± 0.15	2.50 ± 0.20	0.60 ± 0.25	0.60 ± 0.25	0.56 ± 0.15
CR64 (CR1) LCR64 (LCR1)	6.30 ± 0.15	3.20 ± 0.20	0.60 ± 0.25	0.60 ± 0.25	0.56 ± 0.15

\*1 ( ): Conventional Model No.

## Power rating

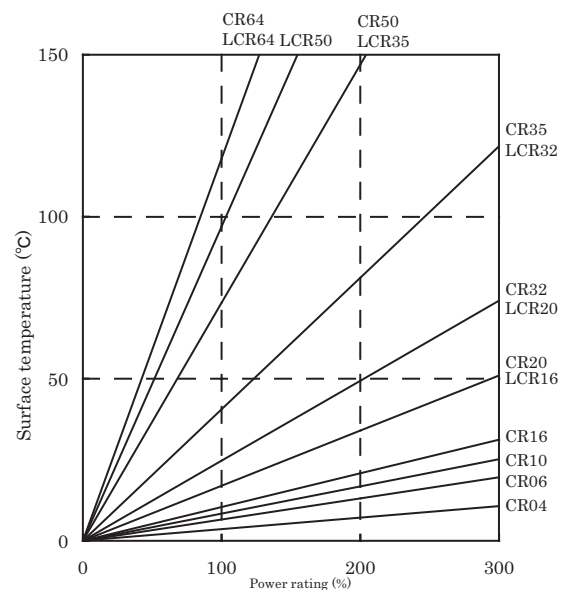
For resistors operated in ambient temperature above 70 °C, power rating must be derated in accordance with the derating curve.



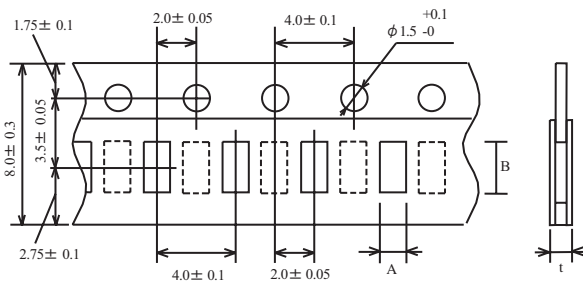
## Surface temperature

Surface temperature rise is shown in this figure.

Please notice that CR50 and CR64 have high temperature rise when Loaded 100%.



### ■ Paper tape (mm)

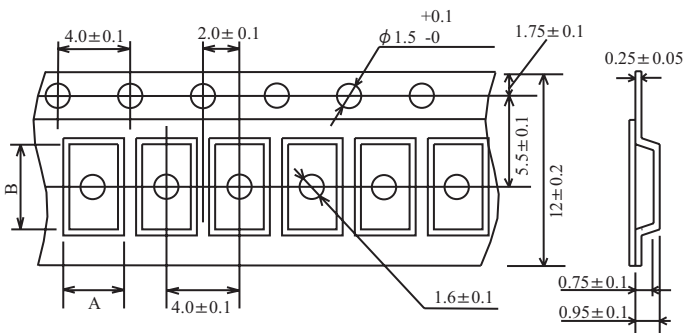


For CR06, CR10, NCR104, ACR102 and ACR104,  
cavity pitch is 2mm.

show the cavity.

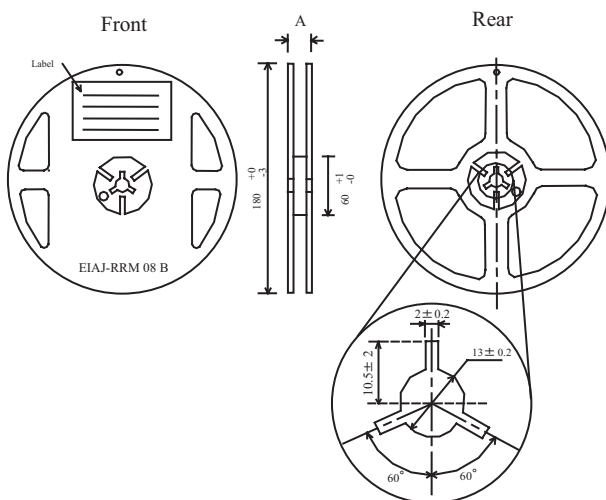
Size Code Inch (mm)	Model No.	A	B	t
01005 (0402)	CR04	0.25±0.02	0.45±0.02	0.36±0.05
0201 (0603)	CR06	0.4±0.08	0.7±0.08	0.4±0.10
0402 (1005)	CR10, LCR10, CRS10, LCRS10	0.7±0.08	1.2±0.08	0.5±0.10
0603 (1608)	CR16, LCR16, FCR16 CRS16, LCRS16	1.10±0.20	1.90±0.20	0.7±0.10
0805 (2012)	CR20, LCR20, UCR20 FCR20, CRS20, LCRS20	1.65±0.20	2.40±0.20	0.8±0.20
0606 (1616)	NCR162	1.85±0.10	1.85±0.10	
1206 (3216)	CR32, LCR32, ECR32, FCR32 CRS32, LCRS32, NCR164, ACR164	2.00 <sup>+0.10</sup> -0.15	3.75 <sup>+0.10</sup> -0.15	
1210 (3225)	CR35, LCR35, FCR35 CRS35, LCRS35	2.90±0.10	3.60±0.10	
0804 (2010)	NCR104, ACR104	1.20±0.10	2.20±0.10	0.45±0.10
0404 (1010)	ACR102	1.14±0.08	1.14±0.08	0.42±0.10

### ■ Embossed tape (mm)



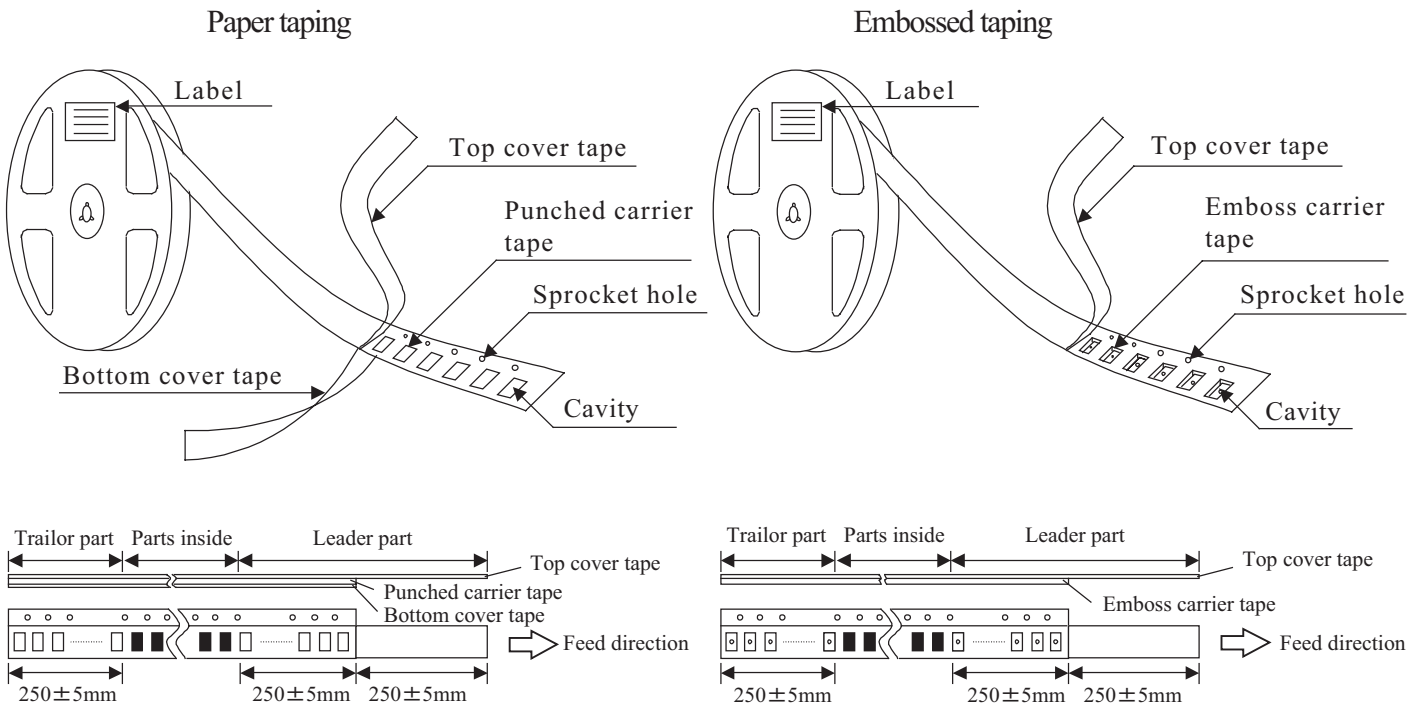
Size Code Inch (mm)	Model No.	A	B
2010 (5025)	CR50, LCR50, ECR50 FCR50, CRS50, LCRS50	2.9±0.1	5.3±0.1
2512 (6432)	CR64, LCR64 NCR3A8, NCR3B8	3.4±0.1	6.6±0.1

### ■ Reel (mm)

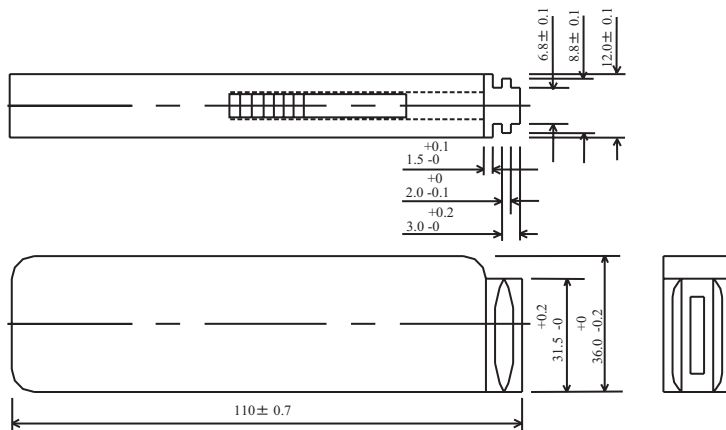


Size Code Inch (mm)	Model No.	Quantity/Reel	A (mm)
0201 (0603)	CR06	15,000	11.4 ± 1.1
01005 (0402)	CR04	10,000	
0402 (1005)	CR10, LCR10, CRS10, LCRS10		
0804 (2010)	NCR104, ACR104		
0404 (1010)	ACR102	5,000	
0603 (1608)	CR16, LCR16, FCR16, CRS16, LCRS16		
0805 (2012)	CR20, LCR20, UCR20, FCR20, CRS20, LCRS20		
1206 (3216)	CR32, LCR32, ECR32, FCR32 CRS32, LCRS32, NCR164, ACR164		
1210 (3225)	CR35, LCR35, FCR35, CRS35, LCRS35	4,000	15.4 ± 1.0
0606 (1616)	NCR162		
2010 (5025)	CR50, LCR50, ECR50, FCR50, CRS50, LCRS50		
2512 (6432)	CR64, LCR64 NCR3A8, NCR3B8		

## ■ Taping composition



## ■ Bulkcase (mm)



## Packaging quantity

Model No.	Quantity / Case
CR10	50,000
CR16	25,000
CR20	10,000
CR32	5,000

Please contact our sales offices about another packaging.