



GF Series

GF Series are combined TNR G Series with Thermal Fuse

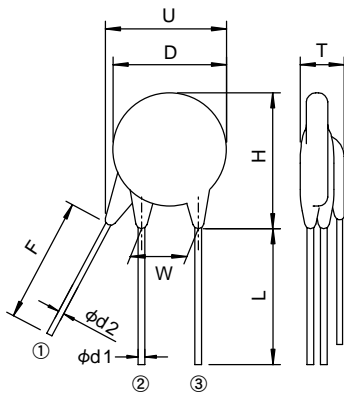


Operating Temperature Range: -40 to +85°C
Storage Temperature Range: -50 to +125°C

STANDARD RATINGS

| Part Number | Previous Part Number (Just for your reference) | Maximum Ratings | | | | | Max. Clamping Voltage | Capacitance Typical @1kHz | Varistor Voltage V1mA | T Max. |
|--------------------|---|------------------------|--------|-------------------|-------------|---------------|-----------------------|---------------------------|-----------------------|--------|
| | | Max. Allowable Voltage | | Max. Peak Current | Max. Energy | Rated Wattage | | | | |
| 15GF Type | | AC (Vrms) | DC (V) | 8/20μs(A) | 2ms(J) | (W) | V50A (V) | (pF) | (V) | (mm) |
| TND15GF271KB00AAA0 | TNR15GF271K | 175 | 225 | | 50 | 0.6 | 440 | 680 | 270 (243~297) | 9 |
| TND15GF471KB00AAA0 | TNR15GF471K | 300 | 385 | 2500A/2 times | 80 | 0.6 | 765 | 450 | 470 (423~517) | 10 |
| TND15GF821KB00AAA0 | TNR15GF821K | 510 | 670 | | 110 | 0.6 | 1,340 | 280 | 820 (738~902) | 12 |
| 23GF Type | | AC (Vrms) | DC (V) | 8/20μs(A) | 2ms(J) | (W) | V100A (V) | (pF) | (V) | (mm) |
| TND23GF271KB00AAA0 | TNR23GF271K | 175 | 225 | | 90 | 0.8 | 440 | 1,850 | 270 (243~297) | 9 |
| TND23GF471KB00AAA0 | TNR23GF471K | 300 | 385 | 4000A/2 times | 150 | 1.0 | 765 | 1,200 | 470 (423~517) | 10 |
| TND23GF821KB00AAA0 | TNR23GF821K | 510 | 670 | | 190 | 1.5 | 1,340 | 800 | 820 (738~902) | 12 |

DIMENSIONS [mm]



| | 15GF | 23GF |
|-----|---------|---------|
| D | 18 Max. | 25 Max. |
| T | 9 to 12 | |
| H | 22 Max. | 32 Max. |
| W | 7.5±1 | 10±1 |
| L | 30 Min. | |
| U | 23 Max. | 28 Max. |
| F | 22 Min. | |
| φd1 | 0.8 | |
| φd2 | 0.5 | 0.6 |

