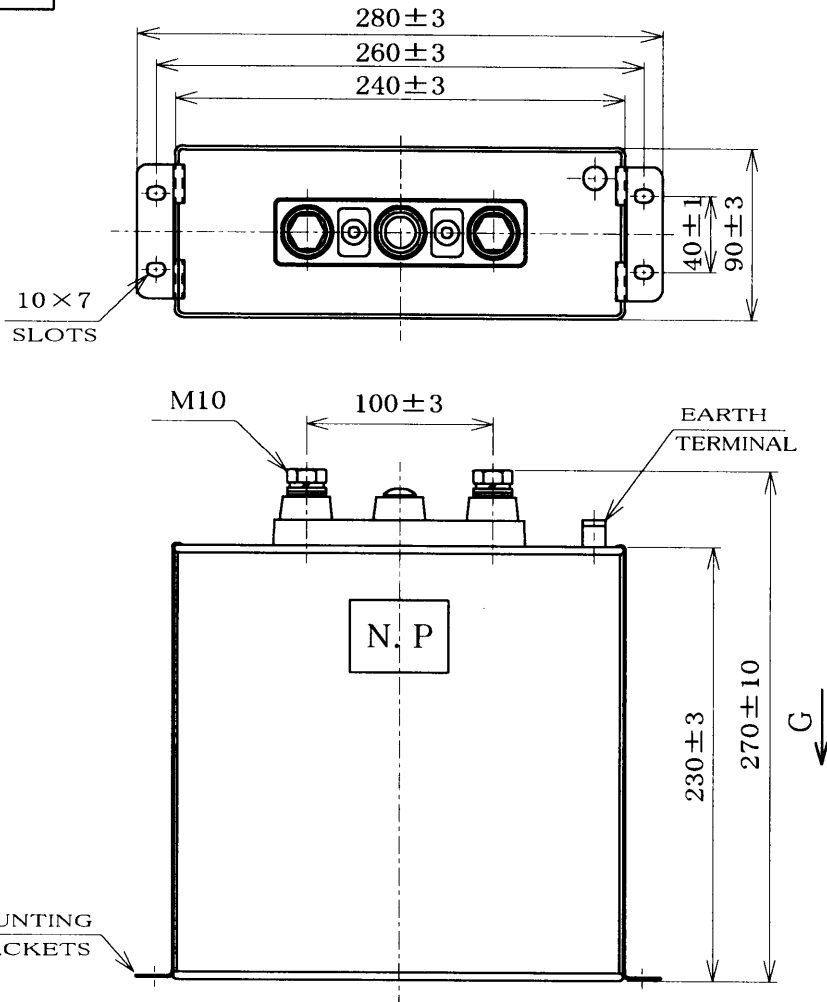


Temporary Drawing



Type : JABD162M207KA(Temporary Number) (INTERNAL SAFETY DEVICE)

KIND		SH CAPACITOR
RATED VOLTAGE		1600 WVDC
RATED CAPACITANCE		200 $\mu$ F
CAPACITANCE TOLERANCE		-10% TO +10%
INSULATION RESISTANCE	TERM.-TERM.	MORE THAN 500 $\Omega \cdot F$ (AT 1000VDC)
	TERM.-CASE	MORE THAN 3000 M $\Omega$ (AT 1000VDC)
DISSIPATION FACTOR		LESS THAN 0.5% (AT 200 VAC,50Hz)
WITHSTAND VOLTAGE	TERM.-TERM.	2400 VDC 60 S
	TERM.-CASE	4000 VDC 60 S
REVERSAL VOLTAGE		LESS THAN 20%
REQUIRED LIFE		100% SURVIVAL AT 20 MILLION CHARGE/DISCHARGE CYCLES AT 1600 VDC
PEAK DISCHARGE CURRENT		2000Ap MAX. ( $\tau$ :70 $\mu$ s)
REPETITION RATE		1Hz
AMBIENT TEMPERATURE		-10 ~ +50 $^{\circ}$ C
PAINT		MUNSELL 5Y7/1
ROUGH WEIGHT		6 kg
STANDARD		CONFORM TO JEM 1419

1.STORAGE TEMPERATURE: -25 ~ +70 $^{\circ}$ C

2.TRANSPORT CONDITION: ALTITUDE LESS THAN 10000m

3.TERMINALS MOUNTING TERMS:SHALL BE TURNED UP TERMINALS,NOT BE INVERTED THEM.

APPROVED BY	INSPECTED BY	DRAWN BY	PLAN DATE	UNIT
		S.Takahashi	08.Dec.2004	mm
MARCON ELECTRONICS CO.,LTD.			DRAWING No.	
JAPAN			SIM SP-30-	1/1