

FM Series

The FM series coils are made of nano-crystal.

◆MAJOR USES

- Signal power line noise control
- DC power line noise control
- AC power line noise control

◆FEATURES

- The high permeability core is made of nano-crystal
- High impedance in spite of a small number of turns
- Excellent temperature characteristics
- Conforming to insulating type B and incombustibility UL94V-0

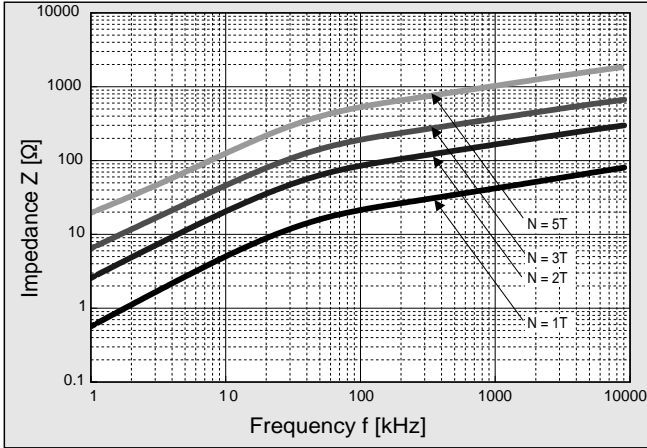


◆CORE STANDARD SPECIFICATIONS

| Core Part No. (Old Core Part No.) | Abbreviation | Cross Sectional Area cm ² | Magnetic Path Length cm | Outside Dimensions | | | Inductance Coefficient AL Value I _{dc} =0[A] μH (100kHz) |
|--------------------------------------|--------------|---|----------------------------|----------------------|-------------|--------------|---|
| | | | | Outer Diameter mm | Width mm | Height mm | |
| LRF251515MK (F251515MK) | M8K | 0.63 | 6.40 | 28.3 | 12.7 | 17.5 | 18.3 |
| LRF322015MK (F322015MK) | MRK | 0.73 | 8.17 | 35.2 | 17.5 | 17.3 | 16.6 |
| LRF372315MK (F372315MK) | MJK | 0.85 | 9.42 | 40.5 | 19.5 | 18.0 | 17.2 |
| LRF462725MK (F462725MK) | MKK | 1.92 | 11.50 | 49.4 | 22.7 | 28.0 | 31.0 |
| LRF603525MK (F603525MK) | MLK | 2.53 | 14.90 | 66.7 | 29.3 | 29.2 | 31.6 |
| LRF624520MK (F624520MK) | MLCH | 1.36 | 16.80 | 66.0 | 41.0 | 24.0 | 15.2 |

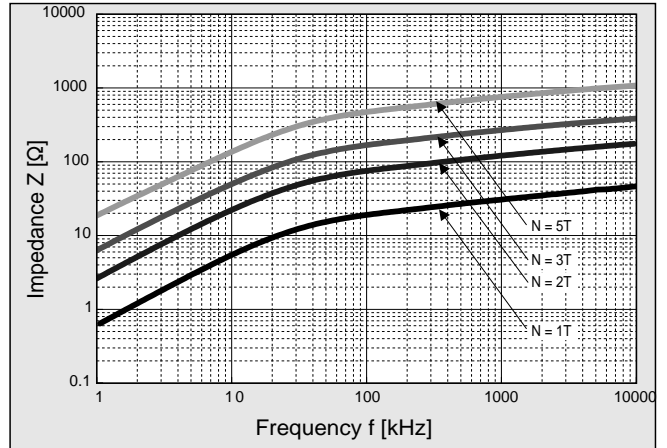
◆FREQUENCY - IMPEDANCE CHARACTERISTICS (1)

●LRF251515MK



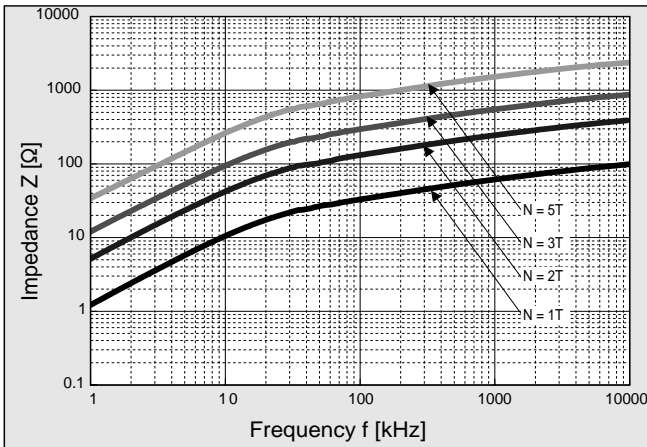
◆FREQUENCY - IMPEDANCE CHARACTERISTICS (2)

●LRF372315MK



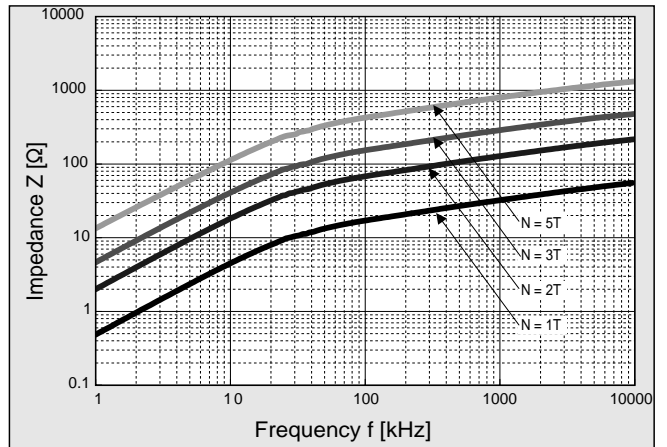
◆FREQUENCY - IMPEDANCE CHARACTERISTICS (3)

●LRF462725MK

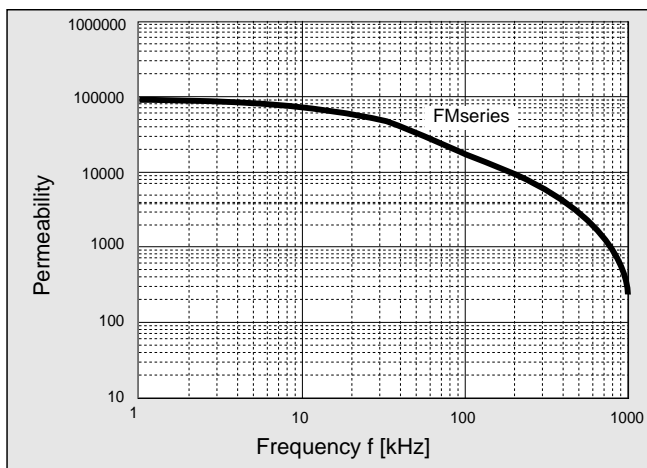


◆FREQUENCY - IMPEDANCE CHARACTERISTICS (4)

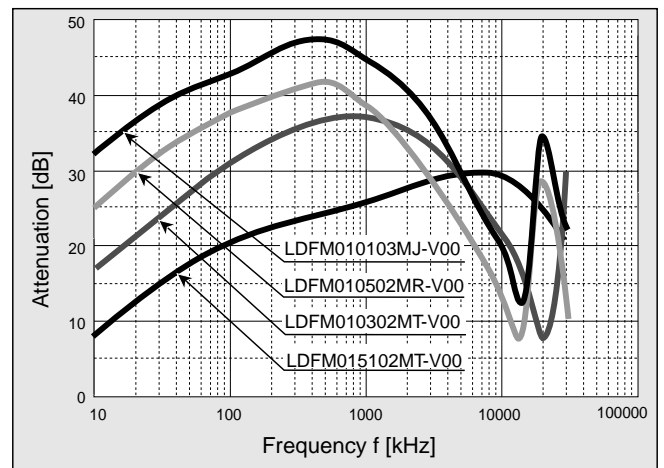
●LRF624520MK



◆FREQUENCY - PERMEABILITY CHARACTERISTICS



◆ATTENUATION CHARACTERISTICS



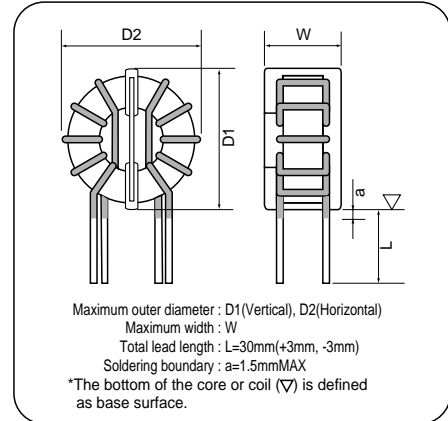
The FM series coils are made of nano-crystal.

◆ MAJOR USES

- Signal power line noise control
- DC power line noise control
- AC power line noise control

◆ FEATURES

- The high permeability core is made of nano-crystal
- High impedance in spite of a small number of turns
- Excellent temperature characteristics
- Conforming to insulating type B and incombustibility UL94V-0



◆ COIL STANDARD SPECIFICATIONS

| Coil Part No. (Old Coil Part No.) | Core Part No. (Old Core Part No.) | Rated Current A | Inductance | | D.C.R. mΩ (max) | Winding mmφXlines-turns | Outside Dimensions | | |
|--------------------------------------|--------------------------------------|--------------------|------------------------|------------------------|-----------------------|----------------------------|--------------------|----------|---------|
| | | | 10kHz Typical mH | 100kHz Rating mH | | | D1 mm | D2 mm | W mm |
| LDFM001802MS-V00 (FM01393MS) | LRF110705M (F110705M) | 1 | 28.0 | 8.0 | 350 | 0.35×1p - 36T | 15.0 | 15.0 | 11.9 |
| LDFM002302MS-V00 (FM02173MS) | LRF110705M (F110705M) | 2 | 11.6 | 3.0 | 150 | 0.45×1p - 23T | 15.0 | 15.0 | 11.9 |
| LDFM003152MS-V00 (FM03872MS) | LRF110705M (F110705M) | 3 | 5.6 | 1.5 | 70 | 0.55×1p - 16T | 15.0 | 15.0 | 11.9 |
| LDFM005302MT-V00 (FM05302MT) | LRF281510M (F281510M) | 5 | 13.0 | 3.0 | 17 | 1.1 ×1p - 15T | 34.0 | 36.0 | 20.0 |
| LDFM005502MT-V00 (FM05502MT) | LRF281510M (F281510M) | 5 | 23.0 | 5.0 | 23 | 1.1 ×1p - 20T | 34.5 | 36.5 | 20.5 |
| LDFM005103MR-V00 (FM05103MR) | LRF322015M (F322015M) | 5 | 39.0 | 10.0 | 33 | 1.1 ×1p - 26T | 39.0 | 41.0 | 25.5 |
| LDFM010102MT-V00 (FM10102MT) | LRF281510M (F281510M) | 10 | 5.8 | 1.0 | 8 | 1.5 ×1p - 10T | 34.0 | 38.0 | 22.0 |
| LDFM010302MT-V00 (FM10302MT) | LRF281510M (F281510M) | 10 | 13.0 | 3.0 | 11 | 1.4 ×1p - 15T | 36.0 | 38.0 | 22.0 |
| LDFM010502MR-V00 (FM10502MR) | LRF322015M (F322015M) | 10 | 24.0 | 5.0 | 15 | 1.5 ×1p - 19T | 40.0 | 43.0 | 27.0 |
| LDFM010103MJ-V00 (FM10103MJ) | LRF372315M (F372315M) | 10 | 46.5 | 10.0 | 20 | 1.5 ×1p - 26T | 46.5 | 47.5 | 27.5 |
| LDFM015102MT-V00 (FM15102MT) | LRF281510M (F281510M) | 15 | 3.7 | 1.0 | 6 | 1.6 ×1p - 8T | 34.5 | 38.0 | 20.5 |
| LDFM015302MR-V00 (FM15302MR) | LRF322015M (F322015M) | 15 | 15.0 | 3.0 | 10 | 1.8 ×1p - 15T | 40.0 | 42.5 | 29.0 |
| LDFM015502MJ-V00 (FM15502MJ) | LRF372315M (F372315M) | 15 | 24.8 | 5.0 | 11 | 1.8 ×1p - 19T | 47.0 | 49.0 | 28.0 |
| LDFM020102MR-V00 (FM20102MR) | LRF322015M (F322015M) | 20 | 4.2 | 1.0 | 5 | 1.5 ×2p - 8T | 42.5 | 43.0 | 28.0 |
| LDFM020302MJ-V00 (FM20302MJ) | LRF372315M (F372315M) | 20 | 13.5 | 3.0 | 7 | 1.5 ×2p - 14T | 46.5 | 48.0 | 30.0 |
| LDFM025252MJ-V00 (FM25252MJ) | LRF372315M (F372315M) | 25 | 11.6 | 2.5 | 5 | 1.6 ×2p - 13T | 47.0 | 49.0 | 31.0 |
| LDFM030102MR-V00 (FM30102MR) | LRF322015M (F322015M) | 30 | 4.2 | 1.0 | 5 | 1.7 ×2p - 8T | 39.5 | 44.0 | 29.5 |
| LDFM030202MJ-V00 (FM30202MJ) | LRF372315M (F372315M) | 30 | 9.9 | 2.0 | 6 | 1.7 ×2p - 12T | 47.0 | 48.5 | 31.0 |

There is a horizontal putting type in all items in the above list.
"V" changes into "H" in last the third digit of the name of items.

Upgrade!

FM Series

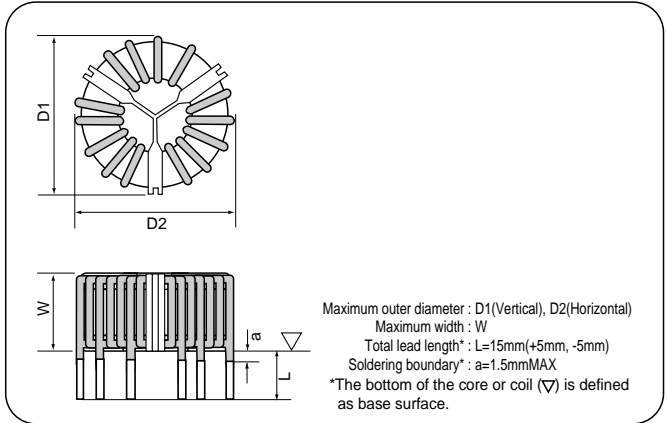
The FM series coils are made of nano-crystal.

◆MAJOR USES

- Common mode coils for noise filter in inverter or large capacity power supply

◆FEATURES

- Small profile, light through adoption of high permeability core
- High inductance in spite of a small number of turns
- Low temperature rise and, low D.C. resistance
- Stable frequency performance of noise suppression in wide frequency range
- Excellent temperature characteristics
- Conforming to insulating type B and incombustibility UL94V-0



◆COIL STANDARD SPECIFICATIONS

| Coil Part No. (Old Coil Part No.) | Core Part No. (Old Core Part No.) | Rated Current A | Inductance | | D.C.R. mΩ (max) | Winding mmφXlines-turns | Outside Dimensions | | |
|--------------------------------------|--------------------------------------|--------------------|---------------|--------------|-----------------------|----------------------------|--------------------|----------|---------|
| | | | 10kHz | 100kHz | | | D1 mm | D2 mm | W mm |
| | | | Typical mH | Rating mH | | | | | |
| LDFM015802MGQH00 (FM15802MGQ) | LRF503415MQ (F503415MQ) | 15 | 30.0 | 8.0 | 15 | 2.0×1P | 65.0 | 65.0 | 35.0 |
| LDFM020402MGQH00 (FM20402MGQ) | LRF503415MQ (F503415MQ) | 20 | 16.0 | 4.0 | 6 | 2.3×1P | 65.0 | 65.0 | 35.0 |
| LDFM025282MGQH00 (FM25282MGQ) | LRF503415MQ (F503415MQ) | 25 | 10.0 | 2.8 | 5 | 1.8×2P | 65.0 | 65.0 | 35.0 |
| LDFM030172MGQH00 (FM30172MGQ) | LRF503415MQ (F503415MQ) | 30 | 7.0 | 1.7 | 4 | 2.0×2P | 65.0 | 65.0 | 35.0 |

◆FREQUENCY - IMPEDANCE CHARACTERISTICS

